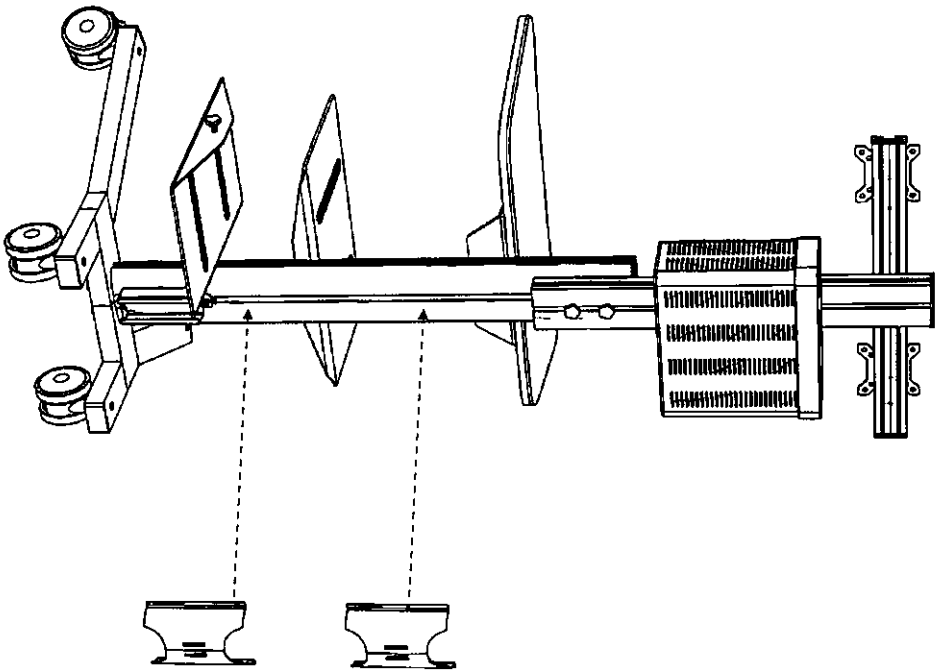
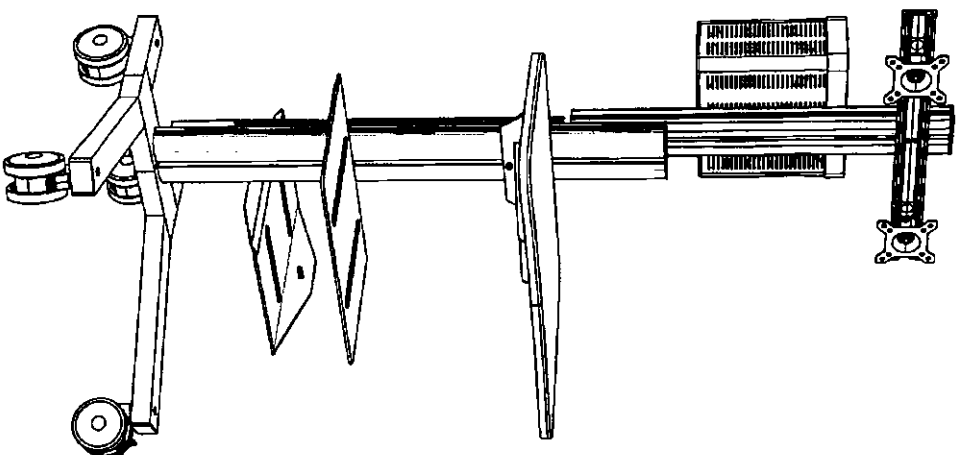


# PC Mobile Cart User Manual



Install the parts as shown.



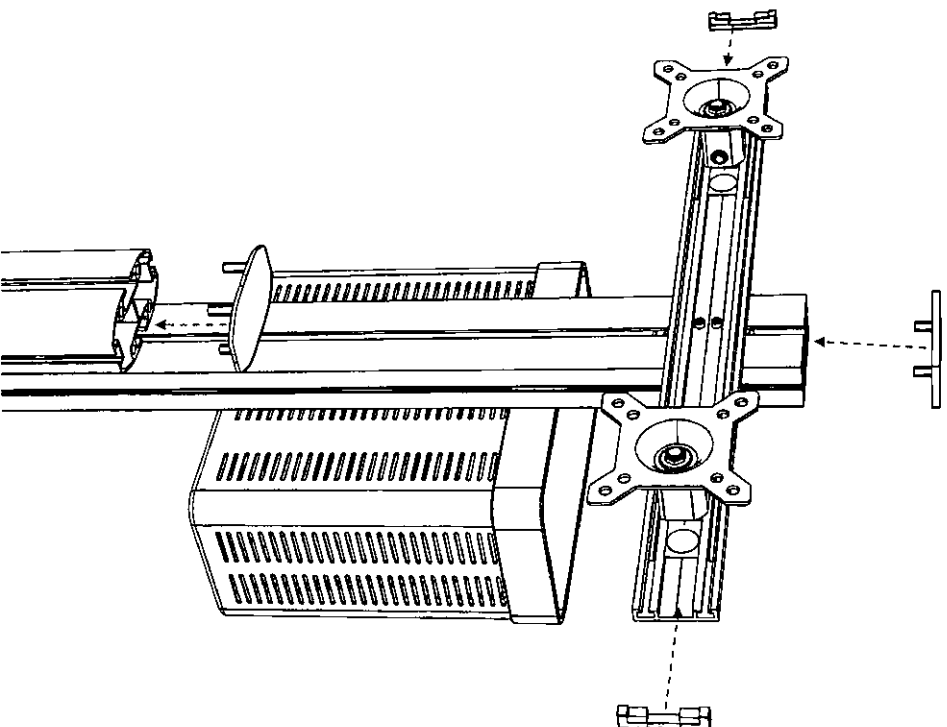


# Safety Instructions

1. DO NOT use the computer cart if pieces are missing or the unit is damaged.
2. Always keep the cables neatly organized and be sure to route cables away from moving components with wire ties or cable clips.
3. Because of the close proximity of electrical power and equipment, flammable cleaners should never be used on the computer cart.
4. Verify that your computer cart is unplugged from the wall outlet before cleaning.
5. Allow your computer cart to dry completely before plugging the power cord into a wall outlet.
6. When cleaning the computer cart, wipe surface with a damp cloth and thoroughly dry.
7. NEVER cover the computer cart or its components with liquid or allow liquids to flow into the computer cart.
8. NEVER use steel wool or other abrasive material as these could damage the surface finish.
9. Clean plastic components with diluted, non-abrasive solutions. Suggested cleaners are water, soap, diluted bleach and alcohol solutions.
10. DO NOT use the following chemicals to clean your computer cart: acetone, mineral spirits, abrasive cleansers, paint thinner or any other harsh or toxic chemicals.
11. Ensure the parts are securely connected before use.
12. Never exceed the weight limit of the product.

## Specifications

<b>Overall Dimensions</b> (L x W X H)	<b>25 3/8" x 23 5/8" x 63 3/4"</b> (64 x 60 x 162 cm)
<b>Monitor Holder Weight Limit</b>	22 lbs (10 kg)
<b>Basket Weight Limit</b>	44 lbs (20 kg)
<b>Printer Holder Weight Limit</b>	44 lbs (20 kg)
<b>Computer Mainframe Holder Weight Limit</b>	44 lbs (20 kg)
<b>Keyboard Holder Weight Limit</b>	44 lbs (20 kg)

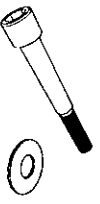


Install the parts as shown.

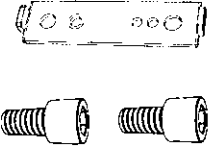


# Hardware

A



B



H



G



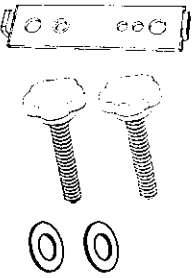
I



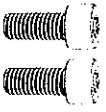
J



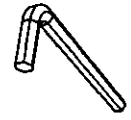
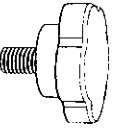
K



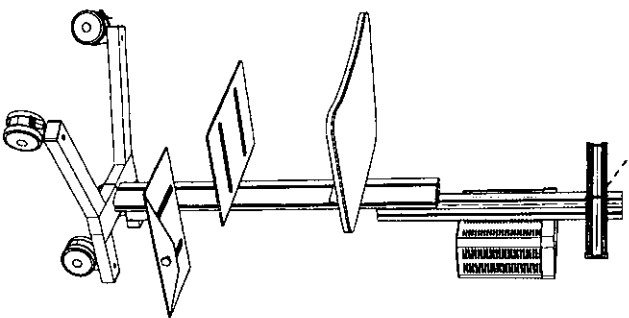
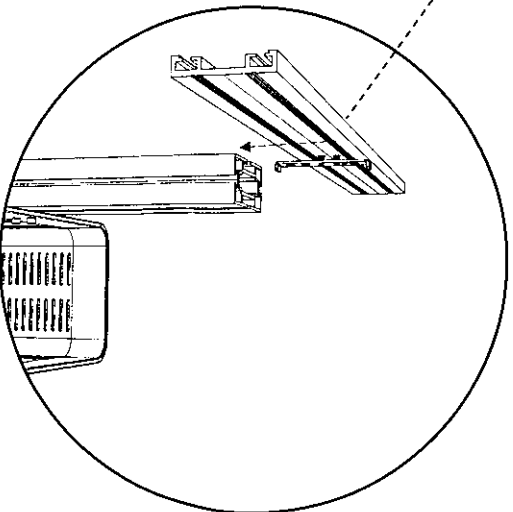
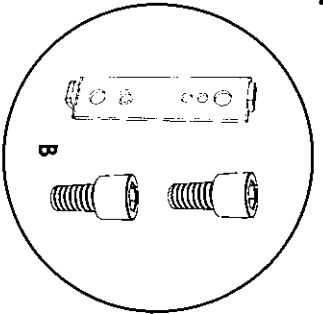
M



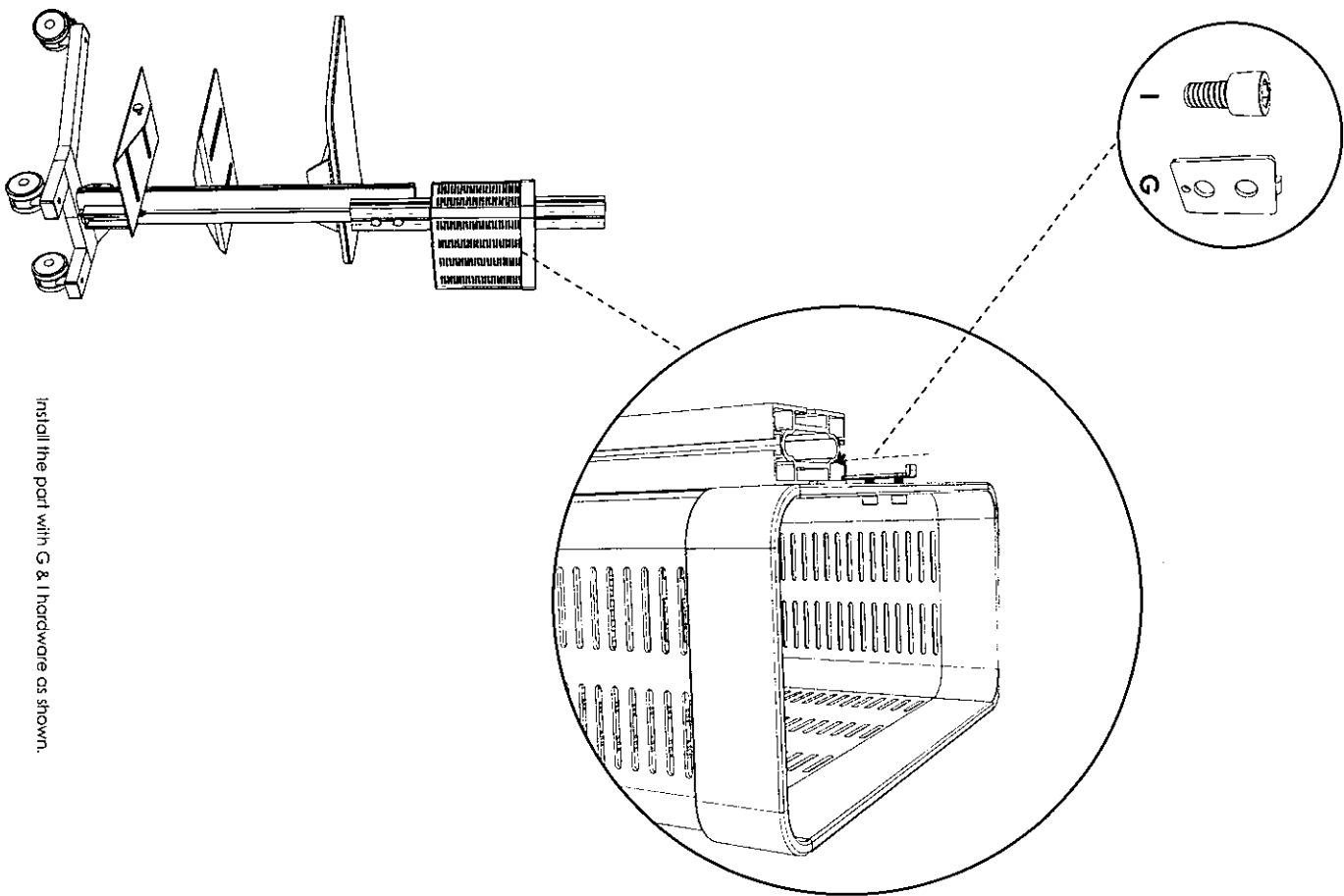
L



9



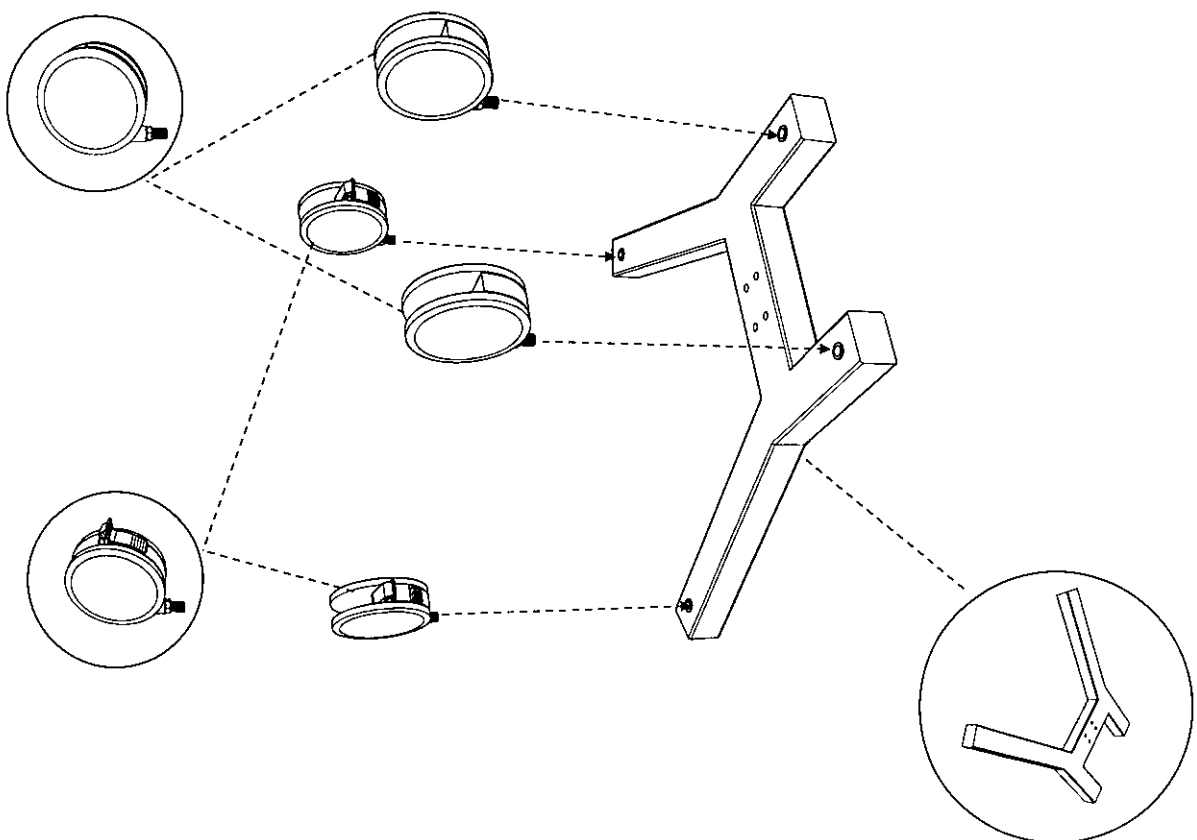
Install the part with B hardware as shown.



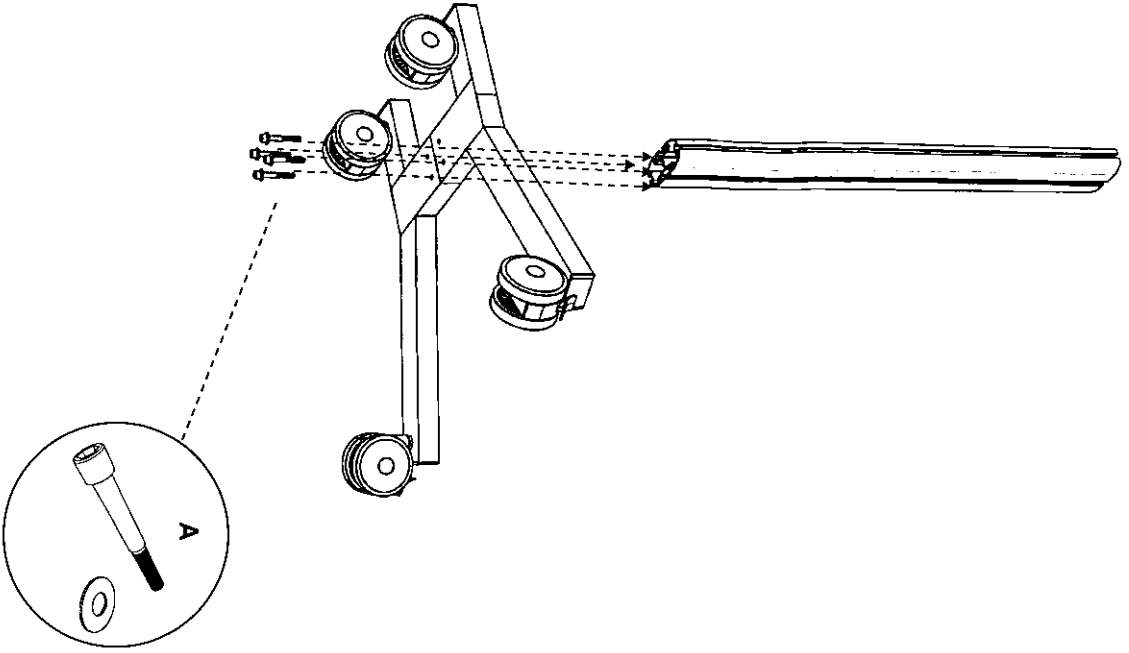
Install the part with G & I hardware as shown.

# Assembly Instructions

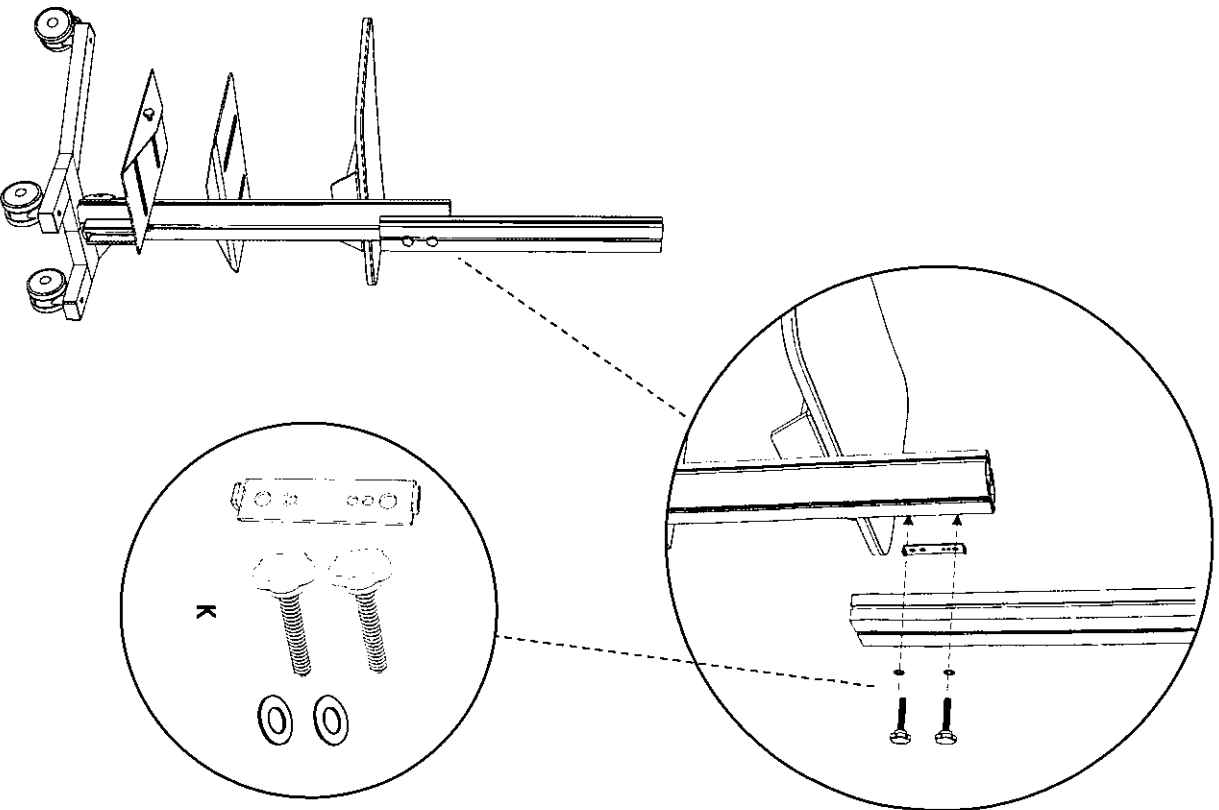
1



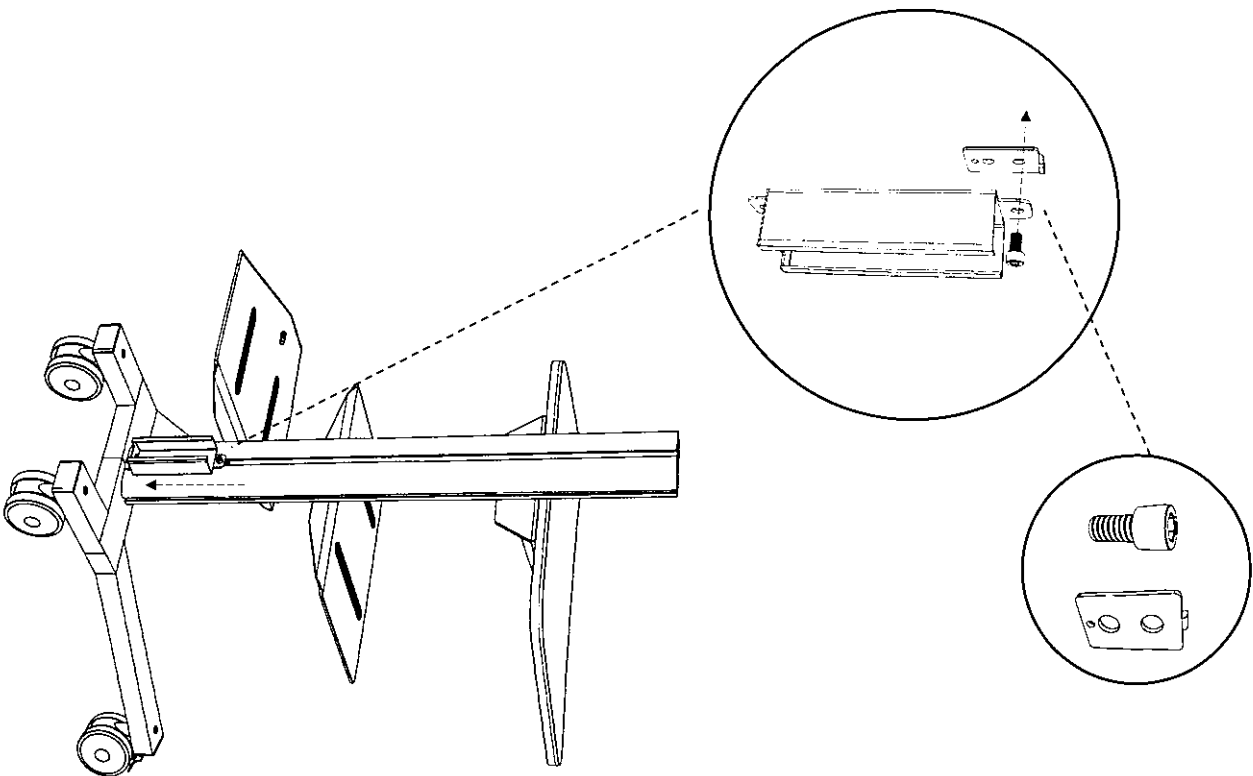
Connects the parts as shown.



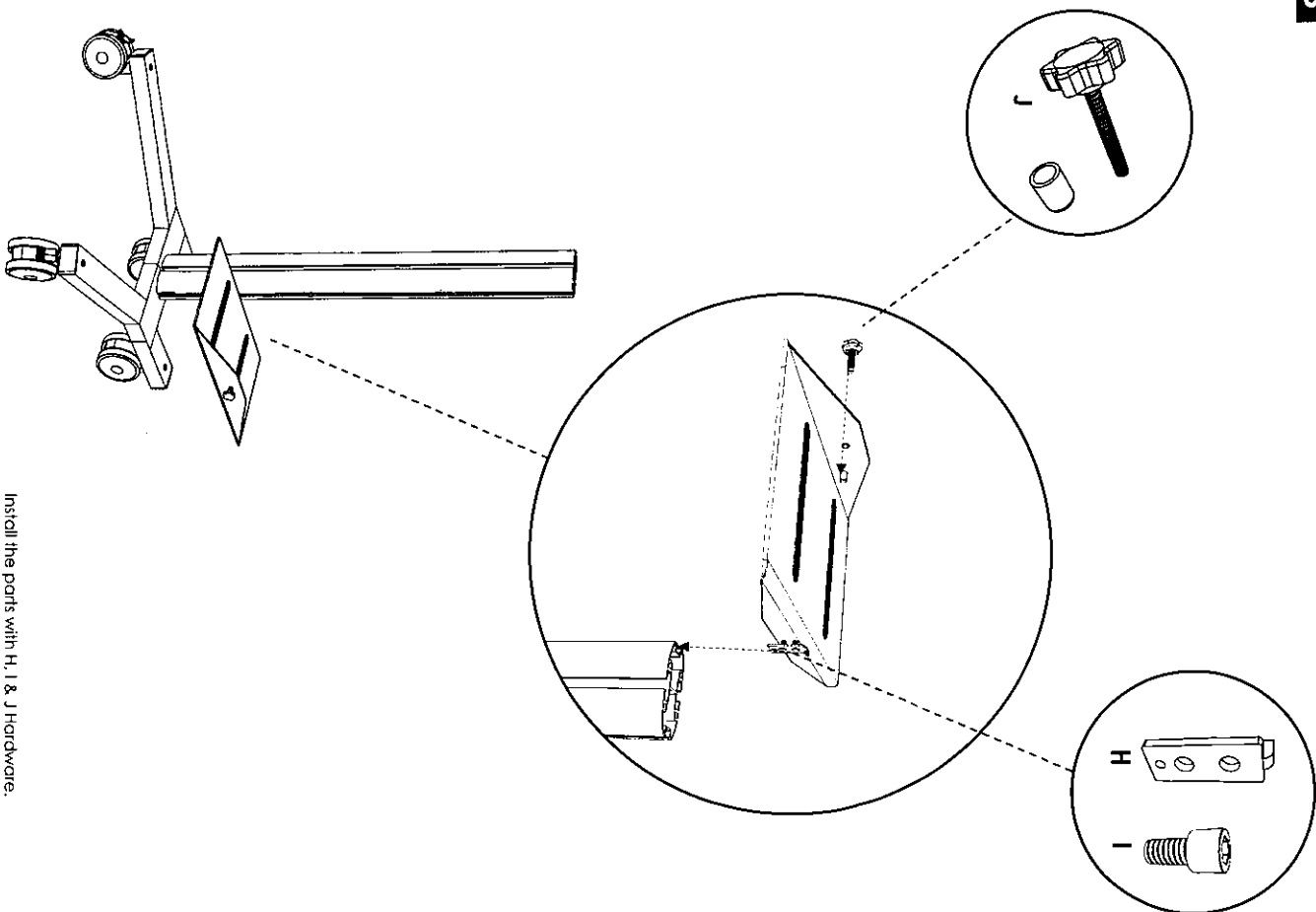
Connect the parts with A-type Hardware.



Install the part with K hardware as shown.

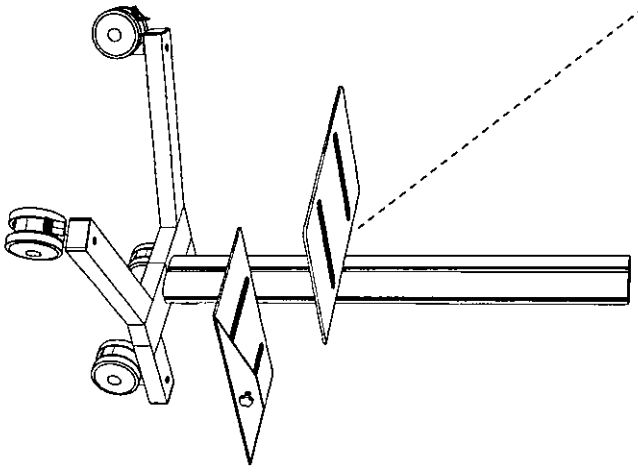
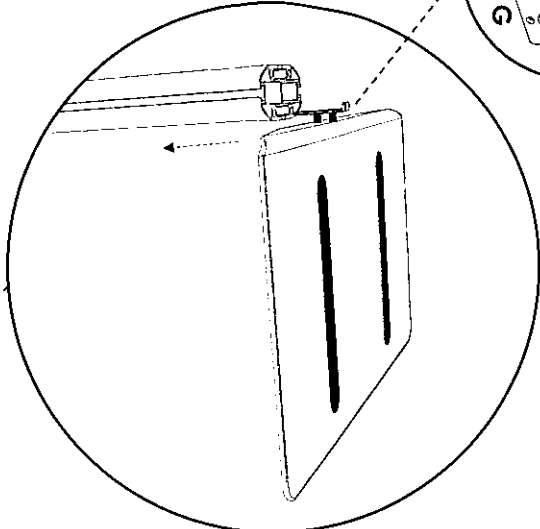
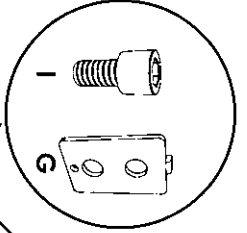


Install the part as shown.



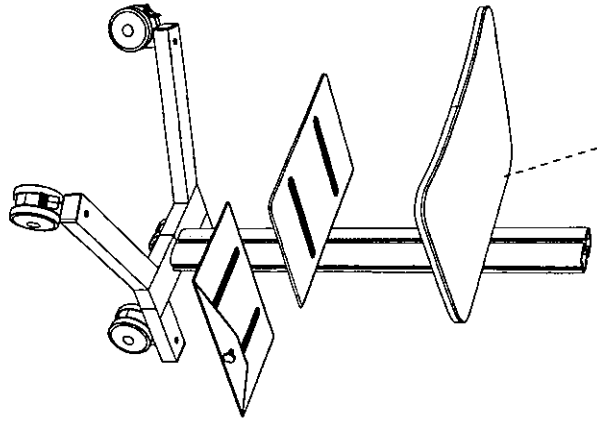
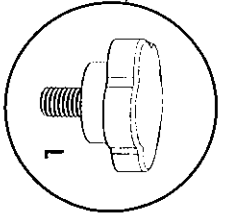
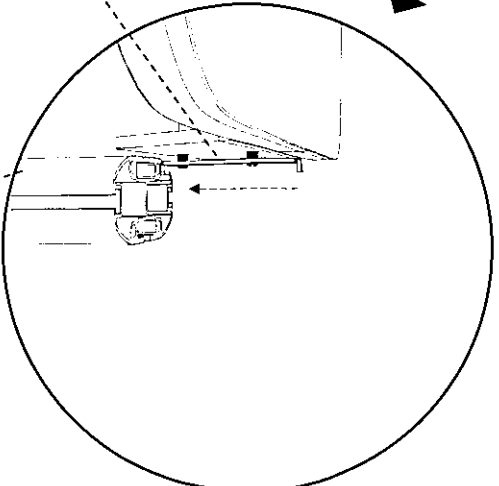
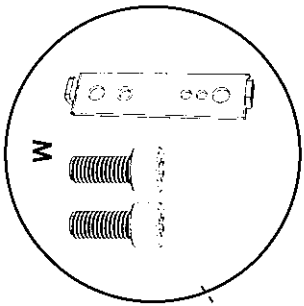
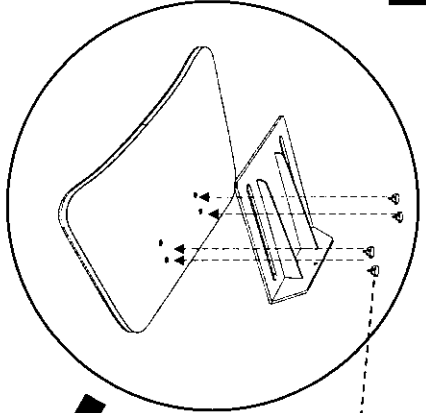
Install the parts with H, I & J Hardware.

4



Install the parts with G & Hardware.

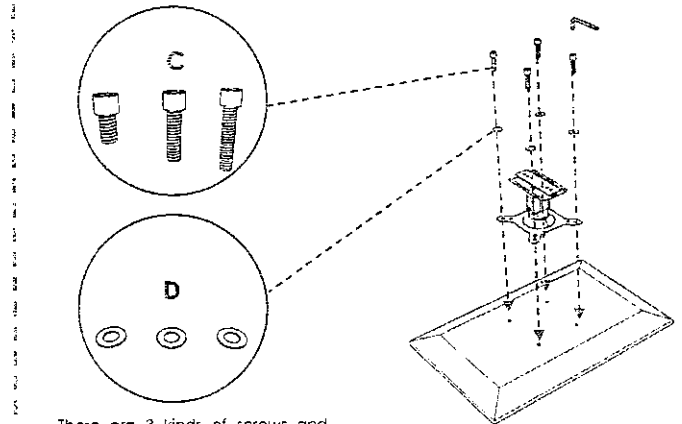
5



Install the parts with L & M Hardware.

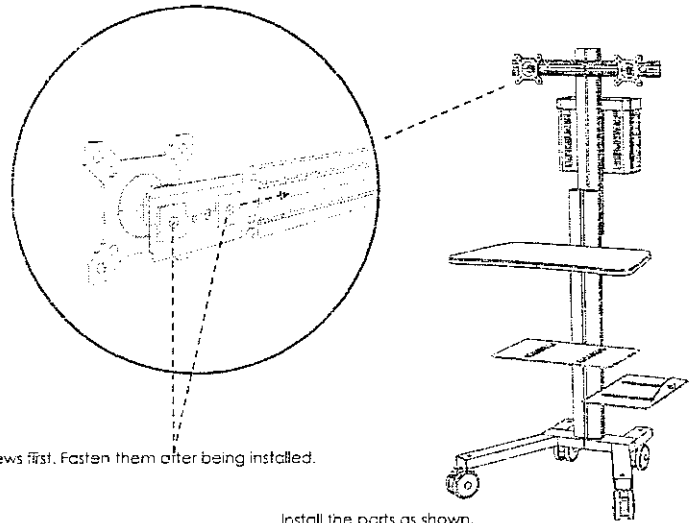
# Appendix

The instruction of the usage of hardware C & D is missing in step 10 in the original user manual. It is added in this appendix for an additional corresponding instruction.



There are 3 kinds of screws and washers in C & D hardware, choose the ones that suit your monitor and install the part on your monitor.

Monitor is for illustrative purpose only. It is not included in this product.



Loosen the screws first. Fasten them after being installed.

Install the parts as shown.

